

Belanto®

WATER METER





B.M. WATER METERS is India's leading and quality oriented company engaged in manufacturing and exporting of Water Meters and Electromagnetic Flow Meters. The company was incorporated in the year 1980 in the field of Water Meters under the brand name of 'KRANTI' and 'BELANTO' has acquired an established reputation and goodwill in every corner of market for its sturdy construction, international quality and all round performance Today, the company is accredited with ISO 9001 : 2015, ISO 14001 : 2015, ISO 18001 : 2007 NSIC, ISO 4064, ISI certification and crisil rating.

With state of the art manufacturing facility, presently we are manufacturing meters with in-house designing and testing facility and are also in process of adding more lines. We are currently exporting our products to over 15 countries worldwide and our production line confirms to the following standard.....



Belanto Water Meters ISI Marked Spiral Water Meters (Bulk Enclosed type) Flange end Class-A, IS: 2373 : 1981 Size are Available from 40mm to 1000mm, Class B Woltman Type (Removable Mechanism) flange end with Magnetic Drive, hermetically sealed as per ISO : 4064 Size available from 40mm to 600mm we are manufacturing 'T' type strainer (dirt box) Size : 40mm to 1000mm Belanto make screwed water Meters as per IS : 779 : 1994 and ISO:4064/1 SIZE 15mm to 50mm Belanto/ Kushal Flow Meters are flame proof IP65,IP67,IP68 Heaving range Electromagnetic Flow Meters, Ultrasonic Flow Meters, Insertion Flow Meters Turbine Flow Meters, Battery operated Flow Meters, Oil Flow Meters, AMR Water Meter. Our Meters are recommended for water, refineries, petrochemicals, Sugar Mills, Textile Mills, Paper Mills, ETP, STP Plant, Milk Plant, Diesel, Vegetable Oil and other industrial and commercial applications.

Our product are widely marketed and have won praise from all over for its achievements & contribution towards developments because we never compromise with the quality. Our Vision is to achieve number one position in Indian as well as in global market and we believe this is achievable by proactive thinking, accurate planning and relentless pursuit of excellence with customer's needs.



It is a moment of pride and privilege for us as we release our 2nd edition of catalogue for the information & reference of all our valued clients and consumers.

Today B.M WATER METERS is recognized as one of the most leading and quality oriented manufactures of Water Meters, Electromagnetic Flow Meters and AMR Water Meters. MID Certified Water Meters screwed & Flange Ends.

It's my pleasure and pride to state that I floated this company with Quality base foundation. At B.M Water Meters our highly skilled work force not only uses the latest, most promising technologies but they are also consistently encouraged to develop new products, experiment with new processes and think new ideas. Our marketing team is energized by the desire to reach the customer in the most interesting and novel ways. I deem B.M Water Meters is old in years but quite young in attitude. My good wishes and support have always & will continue to remain with all B. M. Water Meters team members.

I believe that the success of B.M Water Meters has only been possible because of team-work. However, I would like to take this opportunity to thank all our worthy dealers, customers, suppliers, business associates, bankers and most important our employees for their continued commitment and support. I wish them all the very best for the next years.....

An Institution is a lengthened personality of an individual.

Avinash Sharma
Partner



We offer our B.M. Products to our worthy National and International customers, I am pleased to assure that our unit is working with a mission which covers not only earning profit but also customer satisfaction by supplying the best "Water Meters" product at the most reasonable price.

I truly believe that we will positively be the recognized industry leader by providing unsurpassed customer service, quality products, innovative technology and business ideas. Our firm determination is to provide true worth to the customers to their entire satisfaction.

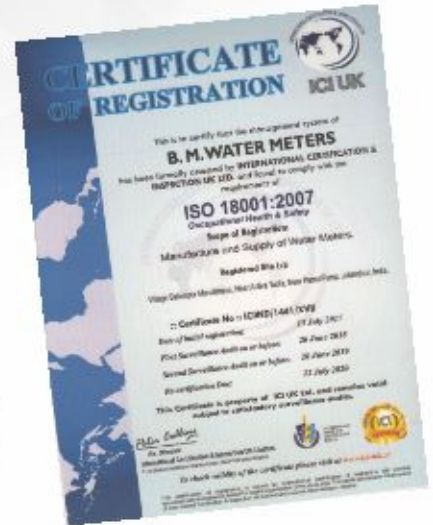
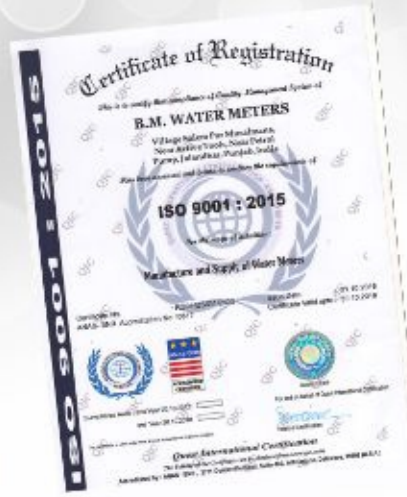
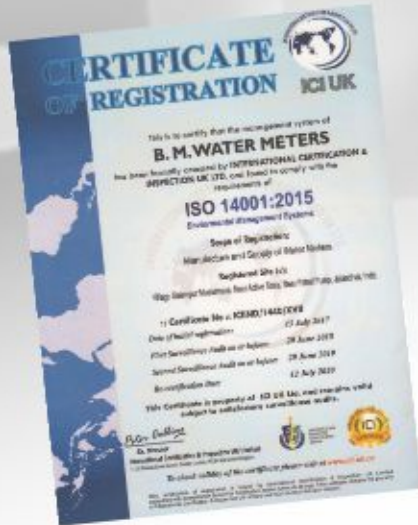
I also believe that development and quality is like a circle which knows no end and this gives a strong base to my decision for upgrading our company's infrastructure.

Kushal Sharma

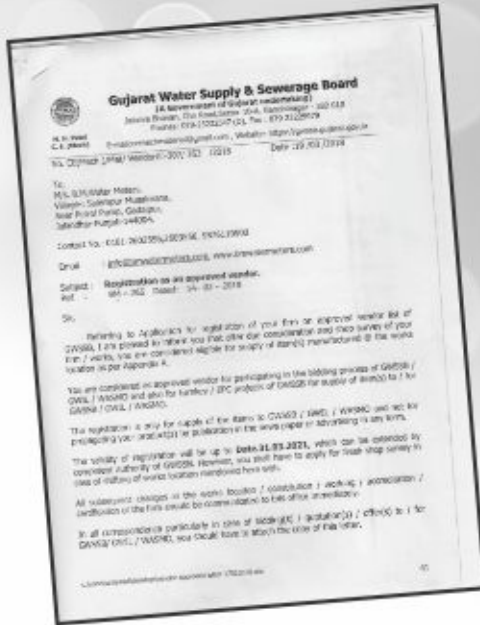
Partner



Company Certificate



Approvals



FCRI Test Reports

CERTIFICATE OF TESTING
 CENTER FOR FLUID CONTROL RESEARCH INSTITUTE
 PERFORMANCE TESTING OF WATER METERS

TEST REPORT NO. FCRI/2023/001

Client: B.M. WATER METERS
 Model: B.M. 1000
 Serial: 10000000000000000000

Flow Rate (L/min)	Pressure (bar)	Flow Error (%)	Repeatability (%)	Accuracy (%)	Result
0.5	0.2	-0.5	0.2	0.5	Pass
1.0	0.2	-0.5	0.2	0.5	Pass
2.0	0.2	-0.5	0.2	0.5	Pass
5.0	0.2	-0.5	0.2	0.5	Pass
10.0	0.2	-0.5	0.2	0.5	Pass
20.0	0.2	-0.5	0.2	0.5	Pass
50.0	0.2	-0.5	0.2	0.5	Pass
100.0	0.2	-0.5	0.2	0.5	Pass
200.0	0.2	-0.5	0.2	0.5	Pass
500.0	0.2	-0.5	0.2	0.5	Pass
1000.0	0.2	-0.5	0.2	0.5	Pass

Approved by: [Signature]

CERTIFICATE OF TESTING
 CENTER FOR FLUID CONTROL RESEARCH INSTITUTE
 PERFORMANCE TESTING OF WATER METERS

TEST REPORT NO. FCRI/2023/002

Client: B.M. WATER METERS
 Model: B.M. 1000
 Serial: 10000000000000000000

Flow Rate (L/min)	Pressure (bar)	Flow Error (%)	Repeatability (%)	Accuracy (%)	Result
0.5	0.2	-0.5	0.2	0.5	Pass
1.0	0.2	-0.5	0.2	0.5	Pass
2.0	0.2	-0.5	0.2	0.5	Pass
5.0	0.2	-0.5	0.2	0.5	Pass
10.0	0.2	-0.5	0.2	0.5	Pass
20.0	0.2	-0.5	0.2	0.5	Pass
50.0	0.2	-0.5	0.2	0.5	Pass
100.0	0.2	-0.5	0.2	0.5	Pass
200.0	0.2	-0.5	0.2	0.5	Pass
500.0	0.2	-0.5	0.2	0.5	Pass
1000.0	0.2	-0.5	0.2	0.5	Pass

Approved by: [Signature]

CERTIFICATE OF TESTING
 CENTER FOR FLUID CONTROL RESEARCH INSTITUTE
 PERFORMANCE TESTING OF WATER METERS

TEST REPORT NO. FCRI/2023/003

Client: B.M. WATER METERS
 Model: B.M. 1000
 Serial: 10000000000000000000

Flow Rate (L/min)	Pressure (bar)	Flow Error (%)	Repeatability (%)	Accuracy (%)	Result
0.5	0.2	-0.5	0.2	0.5	Pass
1.0	0.2	-0.5	0.2	0.5	Pass
2.0	0.2	-0.5	0.2	0.5	Pass
5.0	0.2	-0.5	0.2	0.5	Pass
10.0	0.2	-0.5	0.2	0.5	Pass
20.0	0.2	-0.5	0.2	0.5	Pass
50.0	0.2	-0.5	0.2	0.5	Pass
100.0	0.2	-0.5	0.2	0.5	Pass
200.0	0.2	-0.5	0.2	0.5	Pass
500.0	0.2	-0.5	0.2	0.5	Pass
1000.0	0.2	-0.5	0.2	0.5	Pass

Approved by: [Signature]

CERTIFICATE OF TESTING
 CENTER FOR FLUID CONTROL RESEARCH INSTITUTE
 PERFORMANCE TESTING OF WATER METERS

TEST REPORT NO. FCRI/2023/004

Client: B.M. WATER METERS
 Model: B.M. 1000
 Serial: 10000000000000000000

Flow Rate (L/min)	Pressure (bar)	Flow Error (%)	Repeatability (%)	Accuracy (%)	Result
0.5	0.2	-0.5	0.2	0.5	Pass
1.0	0.2	-0.5	0.2	0.5	Pass
2.0	0.2	-0.5	0.2	0.5	Pass
5.0	0.2	-0.5	0.2	0.5	Pass
10.0	0.2	-0.5	0.2	0.5	Pass
20.0	0.2	-0.5	0.2	0.5	Pass
50.0	0.2	-0.5	0.2	0.5	Pass
100.0	0.2	-0.5	0.2	0.5	Pass
200.0	0.2	-0.5	0.2	0.5	Pass
500.0	0.2	-0.5	0.2	0.5	Pass
1000.0	0.2	-0.5	0.2	0.5	Pass

Approved by: [Signature]

CERTIFICATE OF TESTING
 CENTER FOR FLUID CONTROL RESEARCH INSTITUTE
 PERFORMANCE TESTING OF WATER METERS

TEST REPORT NO. FCRI/2023/005

Client: B.M. WATER METERS
 Model: B.M. 1000
 Serial: 10000000000000000000

Flow Rate (L/min)	Pressure (bar)	Flow Error (%)	Repeatability (%)	Accuracy (%)	Result
0.5	0.2	-0.5	0.2	0.5	Pass
1.0	0.2	-0.5	0.2	0.5	Pass
2.0	0.2	-0.5	0.2	0.5	Pass
5.0	0.2	-0.5	0.2	0.5	Pass
10.0	0.2	-0.5	0.2	0.5	Pass
20.0	0.2	-0.5	0.2	0.5	Pass
50.0	0.2	-0.5	0.2	0.5	Pass
100.0	0.2	-0.5	0.2	0.5	Pass
200.0	0.2	-0.5	0.2	0.5	Pass
500.0	0.2	-0.5	0.2	0.5	Pass
1000.0	0.2	-0.5	0.2	0.5	Pass

Approved by: [Signature]

CERTIFICATE OF TESTING
 FLUID CONTROL RESEARCH INSTITUTE, PALAKKAD

TEST REPORT NO. FCRI/2023/006

Client: B.M. WATER METERS
 Model: B.M. 1000
 Serial: 10000000000000000000

Flow Rate (L/min)	Pressure (bar)	Flow Error (%)	Repeatability (%)	Accuracy (%)	Result
0.5	0.2	-0.5	0.2	0.5	Pass
1.0	0.2	-0.5	0.2	0.5	Pass
2.0	0.2	-0.5	0.2	0.5	Pass
5.0	0.2	-0.5	0.2	0.5	Pass
10.0	0.2	-0.5	0.2	0.5	Pass
20.0	0.2	-0.5	0.2	0.5	Pass
50.0	0.2	-0.5	0.2	0.5	Pass
100.0	0.2	-0.5	0.2	0.5	Pass
200.0	0.2	-0.5	0.2	0.5	Pass
500.0	0.2	-0.5	0.2	0.5	Pass
1000.0	0.2	-0.5	0.2	0.5	Pass

Approved by: [Signature]

**Think About
What You Could Save
When You **Save Water.****

Certificate & Approvals

ISI CERTIFICATIONS

ISO CERTIFICATIONS

ZED CERTIFICATIONS

MSME (SSI)

NSIC REGD.

FCRI

CRISIL

EEPC

GWSSB (GUJARAT)

MJP

MCGM

BMC

CIDCO

DELHI JAL BOARD



Awards & Recognition



Award Presented by
H.E. Governor of Himachal,
Acharya Dev Vrat Ji.



Proud Winner of
"PRIDE OF PUNJAB" Award.
Awarded by ZEE Punjabi Channel



04th September 2017 (Monday), was a Remarkable and Most Memorable day in the history of our Long Journey, when we were awarded as "Pride Of Punjab". This gave us a feeling that someone who is Master and Marked as Leader in the Field of Measurement, has measured himself.

In Prestigious presence of Mr. Charanjeet Singh Channi (Cabinet Minister, Punjab), the Award was presented in a Gala function held at J.W. Marriot, Chandigarh.

On behalf of B.M. Water Meters, Mr. Avinash Chander Sharme & Mr. Kushal Sharma were present on this occasion. After ceremony, Mr. Avinash Chander Sharma said that our Principal Motto is to serve our Great Nation with producing & providing Quality Products, and we are proud to present Zero Defect Product. Mr. Kushal Sharma said that our policy is to constructive participation in Growth of our Society, & Nation.

We are charged enough to avail Top position in South Asia Market with Maximum of Experts.

Export Market Covered

We are exporting
and expanding our sales to

GULF
SOUTH EAST
MIDDLE EAST
EGYPT
SUDAN
KENYA
ETHOPIA
NEPAL
BANGLADESH
EUROPE

DEPARTMENT

We are in panel with all the Muncpal Corporations, Water Supply Sewerage Board, Defense Services, M.E.S., C.P.W.D., P.W.D., Gujarat Water Supply & Sewerage Board, Chennai Metropolitan, Hyderabad Water Supply & Sewerage Board, Municipal Corporation Shimla, Municipal Corporation of Brihanmumbai, Punjab Water Supply & Sewerage Board, Municipal Corporation Haryana, U.P. Jal Nigam, Delhi Jal Board, Municipal Corporation Solapur etc.

TEST CERTIFICATES

Our product is being tested and approved by leading Testing Labs and our product is being approved by ISI, NTH, NPL, FCRI, Si'Tarc and other various testing lab certificates, which are recognized by the Govt. & Semi-Government Departments.

Network across the Country





**CLASS-A WATER METER
IS-2373**

14-15



**CLASS-B WATER METER
ISO-4064**

16-17



**CLASS-B HOT WATER METER
ISO-4064**

18-19



**STRAINER (DIRT BOX)
"T" TYPE**

20-21



**MULTIJET
CLASS-B PULSE OUTPUT/
AMR WATER METER**

22-23



**MULTIJET
CLASS-B MID WATER METER**

24-25



**SINGLE JET CLASS-B
WATER METER**
IS:779:1994 ISO 4064

26-27



**MULTI JET CLASS-B
WATER METER**
IS:779:1994 ISO 4064

28-29



**MULTI JET CLASS-B
WATER METER**
IS:779:1994 ISO 4064

30-31



**MULTIJET CLASS-B
WATER METER AMR
COMPATIBLE**

32-33



**MULTIJET
CLASS-B AMR
WATER METER**

34-35



**MULTIJET
CLASS-B MID
WATER METER**

36-37



**MECHANICAL
OIL METER DM-01**

38-39



**ELECTROMAGNETIC
FLOW METER**

40-41



**ULTRASONIC FLOW
METER**

42-43



**ULTRASONIC CLAMP
FLOW METER**

44-45



**INSERTION
FLOW METER**

46-47



METROLOGICAL PERFORMANCE

SIZE (mm)	40	50	65	80	100	150	200	250	300	350	400	450	500	600	750	900
Intermediate Flow Litres Per Hour	10000	20000	40000	62000	100000	250000	400000	550000	750000	1000000	1500000	2000000	2500000	3500000	4000000	5000000
Nominal Flow Litres Per Hour	20000	50000	80000	125000	200000	500000	800000	1100000	1500000	2000000	3000000	4000000	5000000	7000000	8000000	10000000
Lower Limit of Flow Litres Per Hour	1000	1660	2667	4160	6660	16660	26660	36660	50000	66660	100000	133300	166600	233300	266666	333300
Minimum Start- ing Flow Litres Per Hour	400	500	750	1000	1500	3500	5500	9000	14000	20000	25000	30000	35000	45000	55000	65000
Pressure Testing Kg/Cm ²	16	16	16	16	16	16	16	16	16	16	16	16	16	16	16	16
Minimum Reading in Litres	10	10	10	10	10	100	100	100	100	100	100	100	100	100	1000	1000
Maximum Reading in Litres				100000000				1000000000					10000000000			100000000000

STANDARD

Conforms to IS 2373/1981

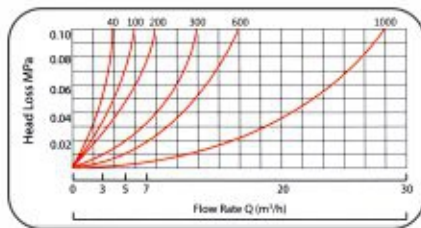
SALIENT FEATURES

- Dry dial mechanical driven flange ends.
- Ensures wiper to keep the dial free from frost for clear reading
- Metallic gears for long life and durability
- Size range from 40mm to 1000mm

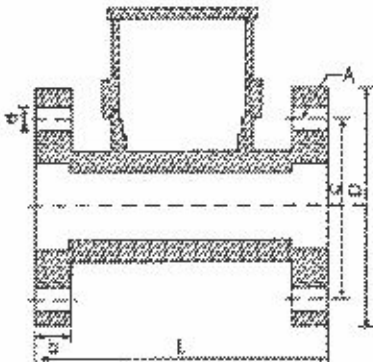
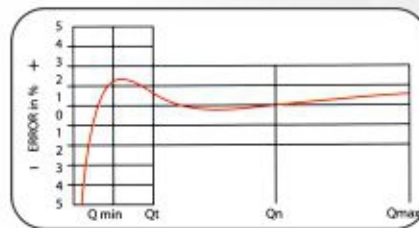
WORKING CONDITIONS

- Water Temperature 45°C
- Water Pressure \leq 1MPa
- Maximum Pressure -16 Bar

HEAD LOSS CURVE



ACCURACY CURVE



FLANGES DIMENSIONS

SIZE (mm)	40	50	65	80	100	150	200	250	300	350	400	450	500	600	750	900
Outside Dia of Flange (D) mm	145	165	185	200	220	285	340	395	445	505	565	615	670	780	960	1115
Thickness of Flange (b) mm	19	19	20	21	22	23	24.5	26	27.5	29	30	31.5	33	36	40	44
Dia of Bolt Circle (C) mm	110	125	145	160	180	240	295	350	400	460	515	565	620	725	900	1050
Number of Holes (A)	4	4	4	4	8	8	8	12	12	16	16	20	20	20	24	28
Dia of Bolt Holes (d) mm	19	19	19	19	19	23	23	23	23	23	28	28	28	31	31	34
Total Length (L) mm	170	170	198	198	240	295	343	443	365	530	535	580	610	645	655	-----

NOTES

1. Above particulars relate to cold water meters suitable for temperature upto 45°C.
2. As constant efforts are made to improve the design, details given in the leaflet, are subject to change or modify without any prior notice.
3. Flanges drilled as per IS:1538 Part IV & VI



METROLOGICAL PERFORMANCE

Size of Meter	Acc(%)	40mm	50mm	65mm	80mm	100mm	150mm	200mm	250mm	300mm	350mm	400mm	450mm	500mm	600mm	
Minimum Flow Q min	m ³ /h ±5	0.3	0.45	0.75	1.20	1.80	4.50	7.50	12.00	18.00	24	30.00	37.5	45.00	75.00	
Transitional flow Qt	m ³ /h ±2	2	3	5	8	12	30	50	80	120	160	200	250	300	500	
Nominal flow Qn	m ³ /h ±2	10	15	25	40	60	150	250	400	600	800	1000	1250	1500	2500	
Maximum flow Q max	m ³ /h ±2	20	30	50	80	120	300	500	800	1200	1600	2000	2500	3000	5000	
Minimum Reading	m ³	0.002	0.002	0.002	0.002	0.002	0.02	0.02	0.02	0.02	0.02	0.02	0.02	0.02	0.02	
Maximum Reading	m ³	9999999 m ³					99999999 m ³ x10					99999999 m ³ x100				
Temperature Suitability	°C	45°C														
Pressure Test	Kg/cm ²	20kg/ cm ²														

- NOTE**
1. Above particular relate to cold water meters suitable for temperature upto 45°C.
 2. As constant efforts are made to improve the design, details given in the leaflet, are subject to change or modify without any prior notice.
 3. Flanges drilled as per IS:1538 Part IV & VI

STANDARD

Conforms to ISO 4064/1 Class-B

APPLICATIONS

Water Distribution Network Industrial
Commercial Water Supply

SALIENT FEATURES

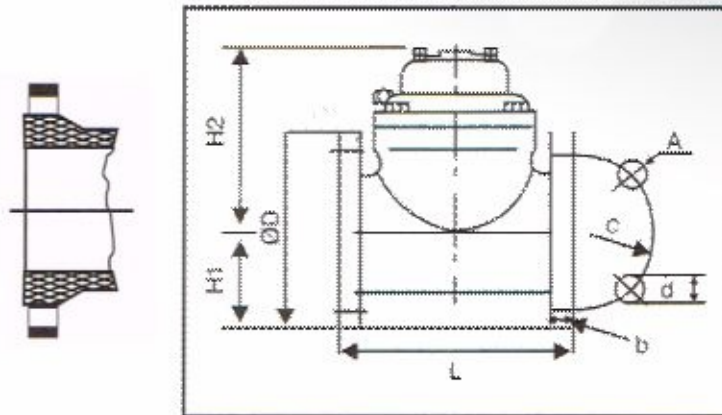
- Dry dial magnetic driven flange ends
- Interchangeable spare without interrupting water supply
- Provide resistance against condensation hermetically sealed, IP68
- Offer high measurement sensitivity and accuracy
- Offer Size range from 40mm to 600mm

WORKING CONDITIONS

- Water Temperature 45°C
- Water Pressure < 1MPa
- Pressure Loss < 0.1 MPa
- Maximum Pressure -16 Bar

OPTIONS

- Hot Water Meters (<90°C)



METER DIMENSIONS

Size of Meter	40mm	50mm	65mm	80mm	100mm	150mm	200mm	250mm	300mm	350mm	400mm	450mm	500mm	600mm
Length (L) mm	245	200	200	225	250	300	350	450	500	500	600	600	600	800
Height (H1) mm	68.5	78	87	95	102	135	162	196	223	254	282	307	334	390
Height (H2) mm	185	188	183	182	183	185	213	286	287	321	323	382	396	450

FLANGES DIMENSIONS

Size of Meter	40mm	50mm	65mm	80mm	100mm	150mm	200mm	250mm	300mm	350mm	400mm	450mm	500mm	600mm
Dia Bolt Circle (c)	110	125	145	160	180	240	295	350	400	460	515	565	620	725
Dia Bolt Holes (d)	19	19	19	19	19	23	23	23	23	23	28	28	28	31
Number of Holes (A)	4	4	4	4	8	8	8	12	12	16	16	20	20	20
Outside Dia of Flanges (D)	150	165	185	200	220	285	340	395	445	505	565	615	670	780
Thickness of Flanges (b)	19	19	20	21	22	23	24.5	26	27.5	29	30	31.5	33	36



METROLOGICAL PERFORMANCE

Size of Meter	Acc(%)	40mm	50mm	65mm	80mm	100mm	150mm	200mm	250mm	300mm	350mm	400mm	450mm	500mm	600mm	
Minimum Flow Q min	m ³ /h ±5	0.3	0.45	0.75	1.20	1.80	4.50	7.50	12.00	18.00	24	30.00	37.5	45.00	75.00	
Transitional flow Qt	m ³ /h ±2	2	3	5	8	12	30	50	80	120	160	200	250	300	500	
Nominal flow Qn	m ³ /h ±2	10	15	25	40	60	150	250	400	600	800	1000	1250	1500	2500	
Maximum flow Q max	m ³ /h ±2	20	30	50	80	120	300	500	800	1200	1600	2000	2500	3000	5000	
Minimum Reading	m ³	0.002	0.002	0.002	0.002	0.002	0.02	0.02	0.02	0.02	0.02	0.02	0.02	0.02	0.02	
Maximum Reading	m ³	9999999 m ³					99999999 m ³ x10					99999999 m ³ x100				
Temperature Suitability	°C	90°C														
Pressure Test	Kg/cm ²	20kg/ cm ²														

- NOTE**
1. Above particular relate to hot water meters suitable for temperature upto 90°C.
 2. As constant efforts are made to improve the design, details given in the leaflet, are subject to change or modify without any prior notice.
 3. Flanges drilled as per IS:1538 Part IV & VI

STANDARD

Conforms to ISO 4064/1 Class-B

APPLICATIONS

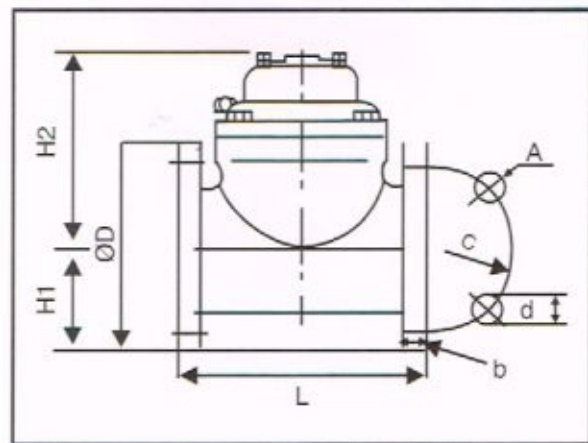
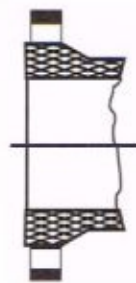
Water Distribution Network Industrial
Commercial Water Supply, Pharmaceutical, PWD

SALIENT FEATURES

- Dry dial magnetic driven flange ends
- Interchangeable spare without interrupting water supply
- Provide resistance against condensation hermetically sealed, IP68
- Offer high measurement sensitivity and accuracy
- Offer Size range from 40mm to 600mm

WORKING CONDITIONS

- Water Temperature 90° Hot
- Water Pressure $\leq 1\text{MPa}$
- Pressure Loss $<0.1\text{ Pa}$
- Maximum Pressure -16 Bar



METER DIMENSIONS

Size of Meter	40mm	50mm	65mm	80mm	100mm	150mm	200mm	250mm	300mm	350mm	400mm	450mm	500mm	600mm
Length (L) mm	245	200	200	225	250	300	350	450	500	500	600	600	600	800
Height (H1) mm	68.5	78	87	95	102	135	162	196	223	254	282	307	334	390
Height (H2) mm	185	188	183	182	183	185	213	286	287	321	323	382	396	450

FLANGES DIMENSIONS

Size of Meter	40mm	50mm	65mm	80mm	100mm	150mm	200mm	250mm	300mm	350mm	400mm	450mm	500mm	600mm
Dia Bolt Circle (c)	110	125	145	160	180	240	295	350	400	460	515	565	620	725
Dia Bolt Holes (d)	19	19	19	19	19	23	23	23	23	23	28	28	28	31
Number of Holes (A)	4	4	4	4	8	8	8	12	12	16	16	20	20	20
Outside Dia of Flanges (D)	150	165	185	200	220	285	340	395	445	505	565	615	670	780
Thickness of Flanges (b)	19	19	20	21	22	23	24.5	26	27.5	29	30	31.5	33	36



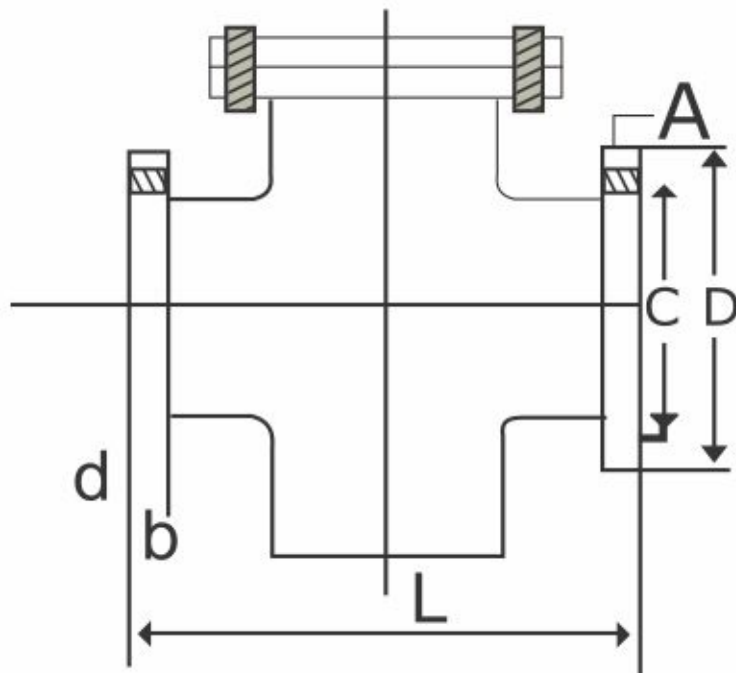
SIZES	OUT SIDE DIA OF FLANGE (D) MM	THICKNESS OF FLANGES (B) MM	DIA OF BOLT CIRCLE (C) MM	NO. OF HOLES (A)	DIA OF BOLT HOLES (D) MM	TOTAL LENGTH (L) MM
40MM	145	19	110	4	19	178
50MM	165	19	125	4	19	178
65MM	185	20	145	4	19	225
80MM	200	21	160	4	19	225
100MM	220	22	180	8	19	225
150MM	285	23	240	8	23	345
200MM	340	24.5	295	8	23	405
250MM	395	26	350	12	23	545
300MM	445	27.5	400	12	23	516
350MM	505	29	460	16	23	647
400MM	565	30	515	16	28	710
450MM	615	31.5	565	20	28	775
500MM	670	33	620	20	28	840
600MM	780	36	725	20	31	1020

DESCRIPTION

The T type strainer has been designed for fitting into a horizontal pipeline. These strainers are supplied as integrally flanged manufacturer and drilling as per IS 1538 Part IV & VI units have a stainless steel mesh.

APPLICATIONS

- Sizes available from 40mm to 1000mm
- Provide Strainer before the meter to take better performance of the Meter.
- Install the Meter and the Strainer in Horizontal position as marked arrow (←) on the Meter
- Flanges dimensions of Strainer is as per IS 1538 Part IV & VI.





TECHNICAL DATA:

NOMINAL SIZE DN (mm)	Class of measurement	Overload flow-rate $q_s(m^3 h)$	Permanent flow-rate $q_p(m^3 h)$	Transitional flow-rate $q_t(m^3 h)$	Minimum flow-rate $q_{min}(m^3 h)$	Minimum Reading $min(m^3)$	Maximum Reading $max(m^3)$
40	B	20	10	2.0	0.30	0.01	999999
50	B	30	15	3.0	0.45	0.01	999999
65	B	50	25	5	0.75	0.01	999999
80	B	80	40	8	1.2	0.01	999999
100	B	120	60	12	1.8	0.01	9999999
125	B	200	100	20	3	0.1	9999999
150	B	300	150	30	4.5	0.1	9999999x10
200	B	500	250	50	7.5	0.1	9999999x10

OVERALL DIMENSIONS AND WEIGHT

Size (mm)	Length (mm) L	Width (mm) W	Height (mm) H	Output diameter of flange D(mm)	The center diameter of connecting bolt D1(mm)	Connecting bolt (Pcs.)	Weight (kg)
40	245	165	253.5	165	125	4X16	12
50	200	165	266	165	125	4xM16	12
65	200	185	270	185	145	8xM16	13
80	225	200	277	200	160	8xM16	15
100	250	220	285	220	180	8xM20	19
125	250	250	320	250	210	8xM20	23
150	300	285	320	285	240	8xM20	30
200	350	340	375	340	295	12xM20	42

ACCURACY

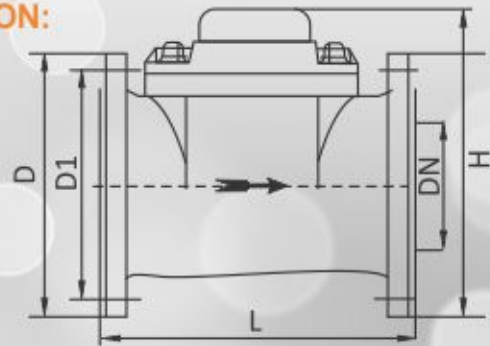
- From minimum flow-rate (q_{min}) inclusive, to transitional flow-rate (q_t), exclusive: $\pm 5\%$
- From transitional flow-rate (q_t) inclusive, to overload flow-rate (q_s), exclusive: $\pm 2\%$ (Hot water meter: $\pm 3\%$)

FEATURES:

- Dry-dial, magnetic drive
- Vacuum sealed register, frost resistant, keeps clear reading for long time
- Removable measuring unit, easy installation and maintenance
- Measuring high flowrate with low head loss.
- Remote transmission device can be added upon request
- Many kinds of sensors, such as Reed Switch, hall and Weagand can be supplied upon request.
- Pulse output may be, 100L/Pulse, 1000L/Pulse
- The meters conform to ISO4064 Standard Class B

WORKING CONDITION:

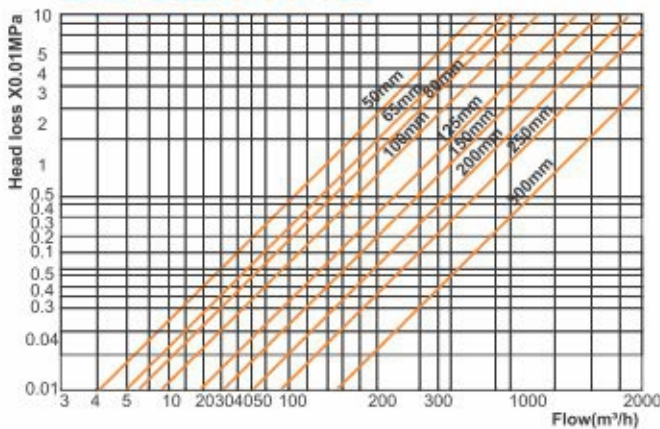
- Water temperature $< 45^\circ\text{C}$ (Hot water meter $< 90^\circ\text{C}$)
- Water pressure $< 1\text{MPa}$ (PN: 1.6MPa/16bar)
- $\Delta P < 0.03\text{ MPa}$



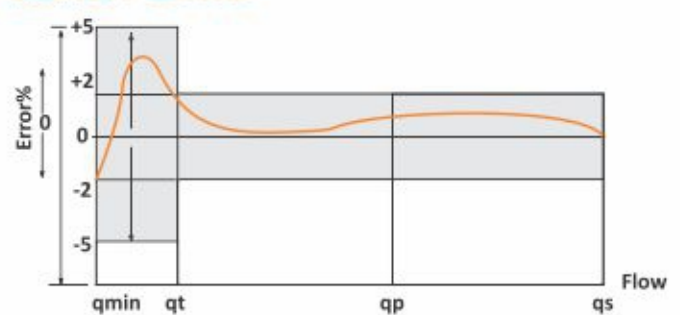
CHARACTERISTICS:

- All the materials in contact with water, consciously selected by the known resistance to corrosion;
- Cold water meter under current standard for lower than 30 C(T30) , but Belanto MULTI G can be used safely in water temperature up to 50 C(T50) ;
- The ROTARY indicator register for the most comfortable reading position of 7 Rollers and 2 Pointers;
- The ROTARY plastic cap and lid for the most comfortable installation;
- The Impeller is the only moving parts in contact with water permitting the most reliable;
- The inlet filter at the inlet of the meter body permits cleaning it without breaking the metrological seal; Internal filter as option;
- The conception of the Magnetic Protection to against the external influences;
- Non return Valve to avoid the reserve flow Rate AS OPTION;

HEAD LOSS CURVE



ERROR CURVE





METER DIMENSIONS

DN	40	50	65	80	100	125	150	200	250	300	350	400	500
L	245	200	200	225	250	250	300	350	450	500	500	600	800
H	225	252	262	272	282	297	341	371	480	516	560	647	785
H1	303	339	349	359	369	384	428	458	576	603	603	723	838
G	360	400	400	400	400	400	500	500	710	730	730	830	930
D	150	165	185	200	220	250	285	340	405	460	520	580	715
D1	110	125	145	160	180	210	240	295	355	410	470	525	650
nxM	4xM16	4xM16	4xM16	8xM16	8xM16	8xM20	12xM20	12xM20	12xM24	12xM24	16xM24	16xM27	20xM30

Technology that Save Water

As a major global manufacturer of plumbing products, we at **Belanto** are well aware of our responsibilities. Conservation of precious water as a natural resource has long been the primary goal of our sustainability efforts to help preserve the lining planet for our future generations.

Go Green is a philosophy embraced by **Belanto** as tenet of its design and production system to save water.

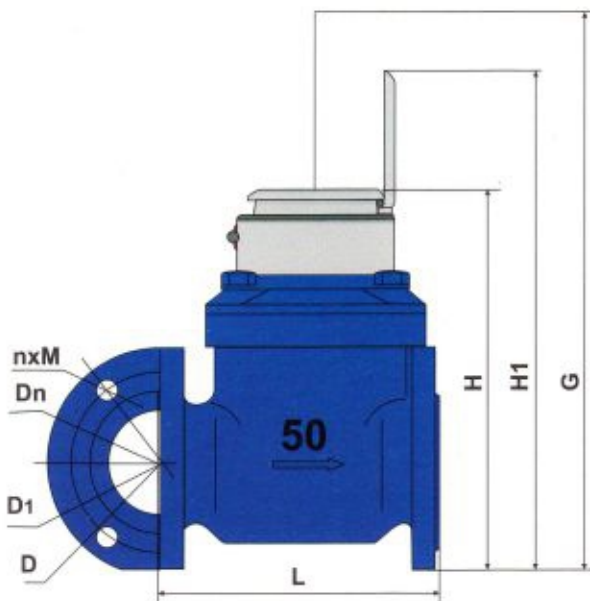


WOLTMAN (TURIBINE)

Belanto WP-SDC is TURBINE Woltman water meter with magnetic transmission, super dry type register for industrial and irrigation application has the sizes from Dn40 to Dn500 designed by Belanto and meets to the requirements of Directive 2004/22/EC on measuring instruments and of European Standard EN14154.

CHARACTERISTICS

- All the materials in contact with water, consciously selected by the known resistance to corrosion;
- Iron body with inside and outside epoxy coating for protecting the corrosion;
- The ROTATING indicator register for the most comfortable reading position;
- The copper can super dry register with IP68 protection;
- The Interchangeable, removable measuring mechanism can be easy removed from the body for checking, maintaining and replacing, no needs to dismantle the body from the pipe;
- Low pressure loss;
- No effected by external magnetic fields;
- Pulse output always ready, and Pulse output AS OPTION.
 - The Pulse Output Device consists of a plastic housing with a Reed Switch, and 1,5 m cable with 2 cores in Red and Black.
 - Electric data: $V_{max}=24AC/DC$; $I_{max}=0,01A$
 - Capacity of the Pulse Emitter:

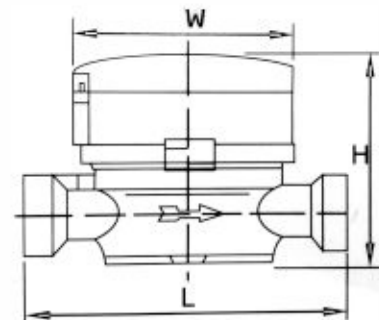


Size	m ³ /pulse
Dn40 TO Dn 100	0.1
Dn125 TO Dn 300	1
Dn 350 TO Dn 500	10



SALIENT FEATURES

- Single jet, super dry, straight reading type, hermetically sealed water meter with magnetic Driven totaliser.
- Standard : it complies with IS:779/94 and class B of ISO:4064
- Brass body and coupling Nut Nipple
- Plastic cap and ring
- Sealed against tampering
- Leakproof, totally dry
- Measuring unit is kiloliters
- Maximum Reading 99999.9999



METER DIMENSIONS

TYPE	Size (mm)	Length mm L	Width (mm) w	Length Including Nipple± 5%	Height (mm) H	Conneting Thread D
Single Jet	15MM	110	77	250	82	3/4
Single Jet	20MM	130	78	290	85	1"

WORKING CONDITIONS

Water Temperature $\leq 45^{\circ}\text{C}$

Water Pressure $\leq 1\text{MPa}$ (PN:1.6 MPa/16bar)

Pressure Lose $< 0.1\text{Pa}$

ACCURACY :

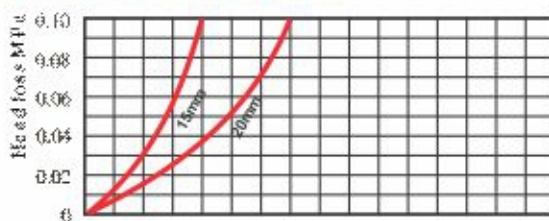
From minium flow rate (Q_{min}) Inclusive to transitional flow rate (Q_t), Exclusive $\pm 5\%$

From transitional flow rate (Q_t) Inclusive to Maximum flow rate (Q_{max}), Exclusive $\pm 2\%$

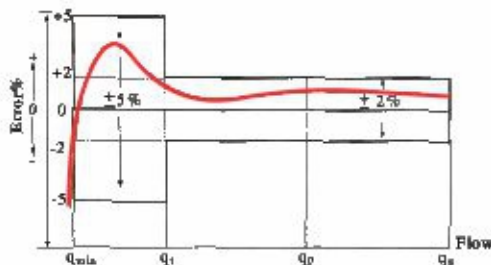
PERFORMANCE DATA

Nominal Size DN (mm)	Minimum Reading Quntity In Litres	Hydro Static Test	Maximum Flow Rate in Q_{max} -Lts./Hr	Nominal Flow rate Q_n -Lts/hr	Transitional flow rate Q_t -Lts/hr	Minimum Starting Flow Q_{min} -Lts/hr
15	0.2	2.0MPa	3000	1500	120	30
20	0.2	2.0MPa	5000	2500	200	50

HEAD LOSS CURVE :



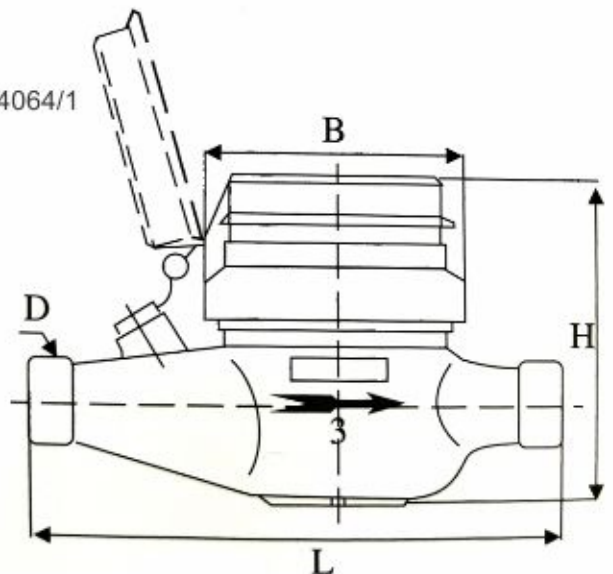
ERROR CURVE :





SALIENT FEATURES

- Multijet, super dry, straight reading type, hermetically sealed water meter with magnetic Driven totaliser.
- Standard : it complies with IS: 779/94 and class B of ISO:4064/1
- Brass body and coupling Nut Nipple
- Plastic cap and ring
- Sealed against tampering
- Leakproof, totally dry
- Measuring unit is kiloliters
- Maximum Reading 99999.9999



WORKING CONDITIONS

Water Temperature $\leq 45^{\circ}\text{C}$
 Water Pressure $\leq 1\text{MPa}$
 Pressure Lose $< 0.1\text{Pa}$
 Maximum Pressure-16 Bar

ACCURACY :

From minium flow rate (Qmin) Inclusive to transitional flow rate (Qt), Exclusive $\pm 5\%$
 From transitional flow rate (Qt) Inclusive to Maximum flow rate (Qmax), Exclusive $\pm 2\%$

PERFORMANCE DATA

Nominal Size DN (mm)	Minimum Reading Quntity In Litres	Hydro Static Test	Maximum Flow Rate in Qmax-Lts./Hr	Tominal Flow rate Qn-Lts/hr	Transitional flow rate Qn.lts/hr	Minimum Starting Flow Qmin-lts/hr
15	0.1	2.0MPa	3000	1500	120	30

METER DIMENSIONS

TYPE	Size (mm)	Length mm L	Width (mm) w	Length Including Nipple $\pm 5\%$	Height (mm) H	Conneting Thread D
Multi Jet	15MM	165	81	250	100	3/4"

Features :

Dry dial, vacuum sealed to keep clean reading for long time available for cold water $0-45^{\circ}\text{C}$ and hot water $0-45^{\circ}\text{C}-90^{\circ}\text{C}$

Magnetic transmission

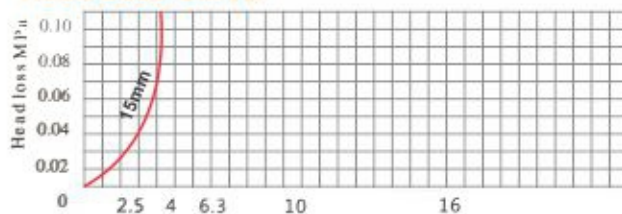
Ant magnetic type

Upon request:

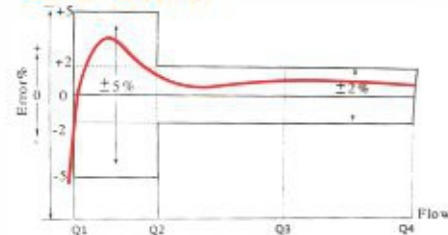
Remote Transmission device can be added upon request

Pulse output 10L/Pulse

Head Loss Curve:



Error Curve:





Type	Size (mm)	Length (mm) L	Length including nut nipple (mm)	Width (mm) W	Height (mm) H	Connecting Thread D
MULTIJET CLASS-B KING	15	165	250	97	109	G 3/4 B
	20	190	290	98	110	G 1 B
	25	260	380	104	117	G 1 1/4 B
	40	300	430	125	148	G 2 B
	50	330	470	125	148	G2 1/2 B

SALIENT FEATURES

- Dry-dial, magnetic drive, protected against external magnetic tampering;
- Vacuum sealed register, frost resistant, keeps clear reading for long time
- Brass body, cast body or plastic body, optional;
- Internal or external adjusting device, optional;
- The meters conform to IS 779 : 1994/ISO-4064/1 Standard Class B;

Working Conditions

Water Temperature $\leq 45^{\circ}\text{C}$
 Water Pressure $\leq 1\text{MPa}$
 Pressure Lose $< 0.1\text{Pa}$
 Maximum Pressure-16 Bar

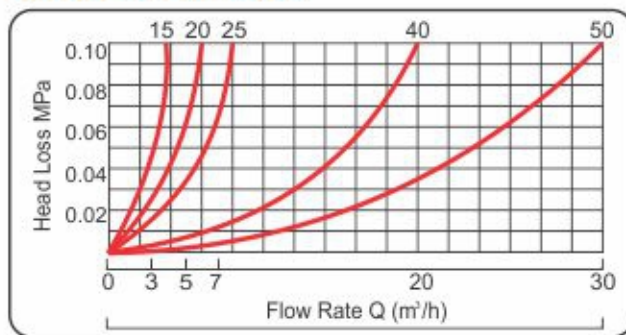
Accuracy :

From minium flow rate (Q_{min}) Inclusive to transitional flow rate (Q_{t}), Exclusive $\pm 5\%$
 From transitional flow rate (Q_{t}) Inclusive to Maximum flow rate (Q_{max}), Exclusive $\pm 2\%$

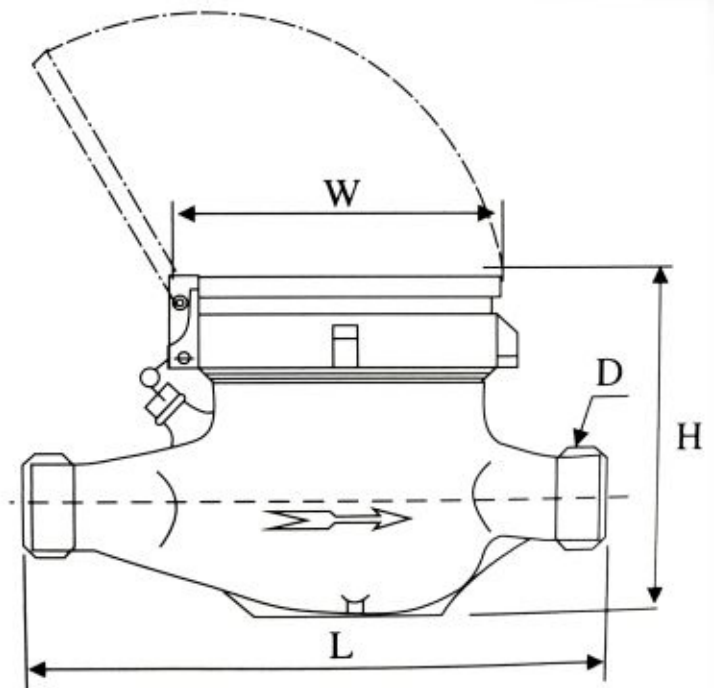
PERFORMANCE DATA

Nominal Size DN (mm)	Minimum Reading Quntity In Litres	Hydro Static Test	Maximum Flow Rate in Q_{max} -Lts./Hr	Tominal Flow rate Q_{n} -Lts/hr	Transitional flow rate Q_{n} .lts/hr	Minimum Starting Flow Q_{min} -lts/hr
15	0.1	2.0MPa	3000	1500	120	30
20	0.1	2.0MPa	5000	2500	200	50
25	0.1	2.0MPa	7000	3500	280	70
40	0.1	2.0MPa	20000	10000	800	200
50	0.1	2.0MPa	30000	15000	1200	300

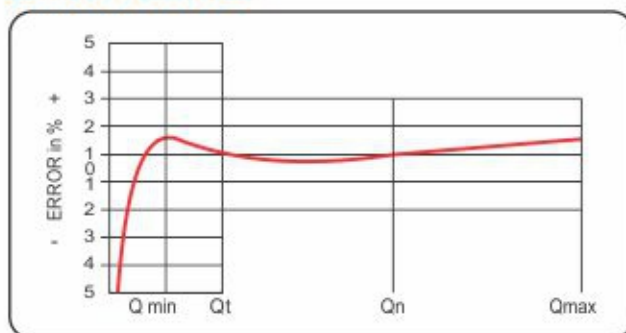
Head Loss Curve:



Dimension



ERROR CURVE





**Pulse Output
10L / Pulse,
100L / pulse**

Type	Size (mm)	Length (mm) L	Length including nut nipple (mm)	Width (mm) W	Height (mm) H	Connecting Thread D
MULTIJET CLASS-B KING	15	165	250	97	109	G 3/4 B
	20	190	290	98	110	G 1 B
	25	260	380	104	117	G 1/4 B
	40	300	430	125	148	G 2 B
	50	330	470	125	148	G2 1/2 B

- Dry-dial, magnetic drive, protected against external magnetic tampering;
- Vacuum sealed register, frost resistant, keeps clear reading for long time
- Brass body, cast body or plastic body, optional;
- Internal or external adjusting device, optional;
- The Meters conform to IS:779:1994/ ISO-4064/1 Standard Class B;

WORKING CONDITIONS

Water Temperature $\leq 45^{\circ}\text{C}$
 Water Pressure $\leq 1\text{MPa}$
 Pressure Lose $< 0.1\text{Pa}$
 Maximum Pressure-16 Bar

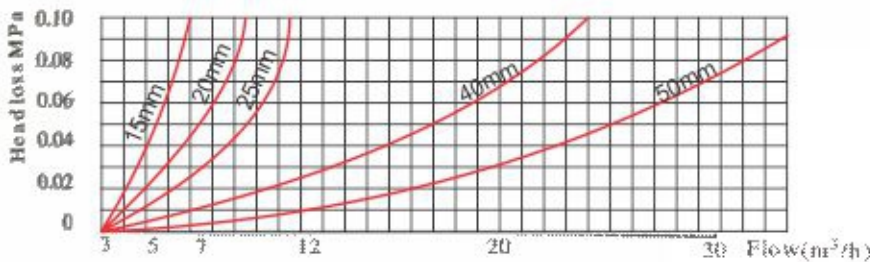
ACCURACY :

From minium flow rate (Q_{min}) Inclusive to transitional flow rate (Q_t), Exclusive $\pm 5\%$
 From transitional flow rate (Q_t) Inclusive to Maximum flow rate (Q_{max}), Exclusive $\pm 2\%$

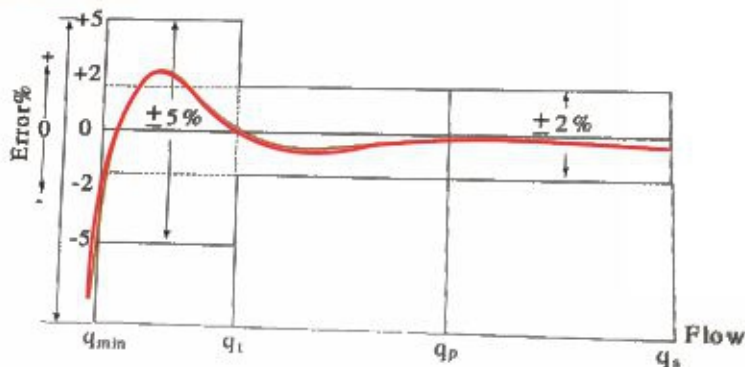
PERFORMANCE DATA

Nominal Size DN (mm)	Minimum Reading Quntity In Litres	Hydro Static Test	Maximum Flow Rate in Q_{max} -Lts./Hr	Tominal Flow rate Q_n -Lts/hr	Transitional flow rate Q_n .lts/hr	Minimum Starting Flow Q_{min} -lts/hr
15	0.1	2.0MPa	3000	1500	120	30
20	0.1	2.0MPa	5000	2500	200	50
25	0.1	2.0MPa	7000	3500	280	70
40	0.1	2.0MPa	20000	10000	800	200
50	0.1	2.0MPa	30000	15000	1200	300

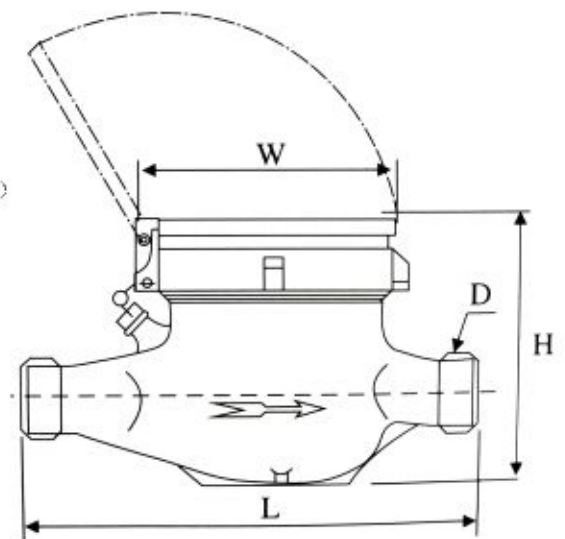
Head Loss Curve:



Error Curve



Dimension Curve:





SALIENT FEATURES

Dry-dial, magnetic drive ;

Anti Magnetic Type, Protected against external magnetic tampering;

Vacuum-sealed register, frost resistant, keeps clear reading for long time;

Available for cold water 0~45°C

Register can be rotated in any direction for convenient reading;

High accuracy, the meters conform to IS:779:1994/ISO-4064/1 Standard

Brass body can be Painted or Powder coated;

Operation RF, GSM/GPRS, Prepaid, LORA wireless

Battery operated (Life 5 Years)

The prerequisite for the integration of water meters, into modern remote reading systems is the ability of the meters to communicate. AMR-technology by Belanto Water Meter provides modular structured solutions for smart metering systems via suitable interfaces, adapted to individual customer requirements. Our portfolio includes both wired bus systems and wireless radio solutions, as well as the associated software for activation and for taking readings with the systems.

Performance Data

Nominal Size DN (mm)	Minimum Reading Quantity In Litres	Hydro Static Test	Maximum Flow Rate in Qmax-Lts./Hr	Tominal Flow rate Qn-Lts/hr	Transitional flow rate Qn.Lts/hr	Minimum Starting Flow Qmin-Lts/hr
15	0.1	2.0MPa	3000	1500	120	30

Working Conditions

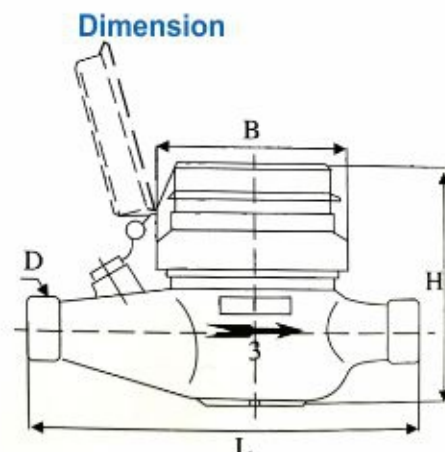
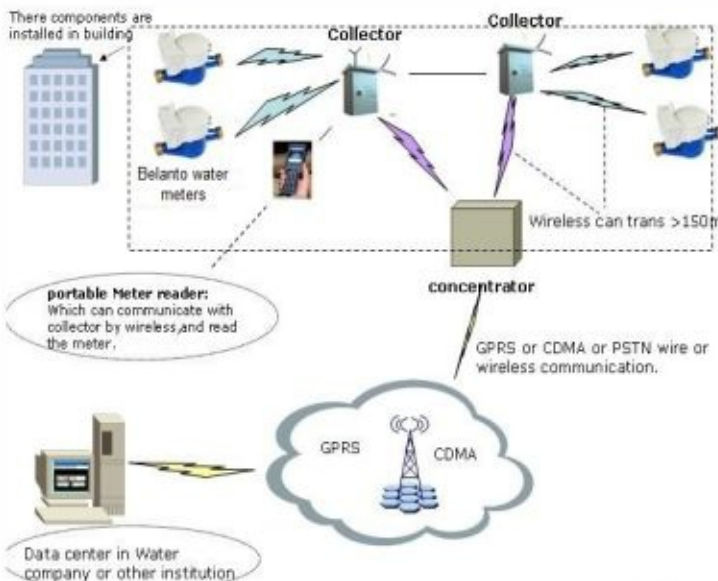
Water Temperature $\leq 45^{\circ}\text{C}$
 Water Pressure $\leq 1\text{MPa}$
 Pressure Lose $< 0.1\text{Pa}$
 Maximum Pressure-16 Bar

Accuracy :

From minium flow rate (Qmin) Inclusive to transitional flow rate (Qt), Exclusive $\pm 5\%$
 From transitional flow rate (Qt) Inclusive to Maximum flow rate (Qmax), Exclusive $\pm 2\%$

METER DIMENSIONS

TYPE	Size (mm)	Length mm L	Width (mm) w	Length Including Nipple $\pm 5\%$	Height (mm) H	Conneting Thread D
Multi Jet	15MM	165	81	255	100	3/4"





Belanto MULTI G is IMPELLER (turbine) water meter with magnetic transmission, dry type register for residential application with sizes from Dn15 to Dn25 designed by Belanto and meets to the requirements of Directive 2004/22/EC on measuring instruments; the European Standard EN14154+A1+A2: <Water Meter>; the International Organization of Legal Metrology OIML R-49: 2006(E): <Water meters intended for the metering of cold potable water and hot water.

Experience Trust

The most preferred complete plumbing brand across the country, has created benchmarks in the industry by providing a comprehensive and complete product portfolio in coordinated plumbing solutions.

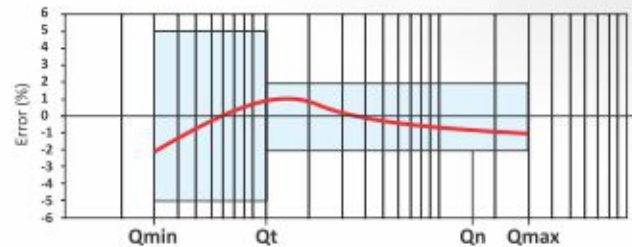
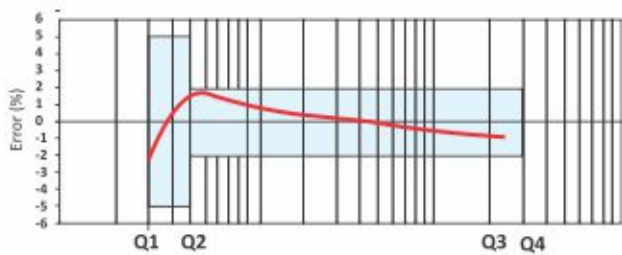
Today, **Belanto** WATER METER is the most trusted brand in India.

CHARACTERISTICS:

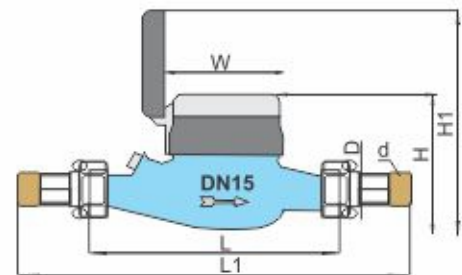
- All the materials in contact with water, consciously selected by the known resistance to corrosion;
- Cold water meter under current standard for lower than 30 C(T30), but Belanto MULTI G can be used safely in water temperature up to 50 C(T50);
- The ROTARY indicator register for the most comfortable reading position of 7 Rollers and 2 Pointers;
- The ROTARY plastic cap and lid for the most comfortable installation;
- The Impeller is the only moving parts in contact with water permitting the most reliable;
- The inlet filter at the inlet of the meter body permits cleaning it without breaking the metrological seal; Internal filter as option;
- The conception of the Magnetic Protection to against the external influences;
- Non return Valve to avoid the reserve flow Rate AS OPTION;

Max. Permission Error:

From Q1 inclusive up to but excluding Q2 is $\pm 5\%$;
 From Q2 inclusive up to and including Q4 is $\pm 2\%$ for T30 and $\pm 3\%$ for T50;



SIZE	mm	Dn15	Dn20	Dn20
R	Q ³ /Q ¹	80	80	80
Q4	m ³ /h	3,125	5	3,125
Q3	m ³ /h	2,5	4	2,5
Q2	l/h	50	80	50
Q1	l/h	31,25	50	31,25
Specification AS OPTION				
R	Q ³ /Q ¹	50	50	50
Q4	m ³ /h	2	3,125	2
Q3	m ³ /h	1,6	2,5	1,6
Q2	l/h	51.2	80	51.2
Q1	l/h	32	50	32
Max. Reading	m ³	99999,9999		
Min. Reading	Liter	0.05		
Pressure Loss	P	P<63 at Q3		
Max. Pressure	MAP	MAP16		
Max. Temperature	°C	T30 or T50		





Strainer must required on inlet of the oil meter.

PETROLEUM METERING EQUIPMENT & ACCESSORIES

Mechanical volumetric flow-meter for private use, with Nutating-disc type chamber for delivers to 120 LPM. It can be installed for gravitational feeding, as well as for hand operated or electric transfer pumps with by-pass arrangement.

TECHNICAL DATA	DM-01
Meter mechanism	Nutating disk
Flow-rate (range)	20-120l/min (5.28-31.7 Gal/min)
Operating pressure (max)	3.5bar (49psi)
Burst pressure (max)	30bar (420psi)
Storage time (range)	-20-+80o
Storage humidity (max)	95%
Operating temperature(range)	-10-+60o
Accuracy after calibration	+/-1%
Repeatability(typical)	+/-0.3%
Readout solution	0.1L/Gal
Connection (inlet/outlet)	1inch BSP/NPT
Weight (approximate) Package dimension	1.8kg 18x16x14 cm

TECHNICAL PERFORMANCE:

Connecting Style: NPT / BSPP thread

Material : Aluminium weight: about 0.8 kgs.

Flow range :

25MM (1") 18.9-190 LPM

40MM (1-1/2") 38.0 - 380 LPM

Accuracy : 25mm ± 1.0%, 40mm ± 0.5%

Repetition: ± 0.1%

▶ FLUID COMPATIBILITY

The DM-01 series meters are compatible with the following fluids:

Diesel, Gasoline, Kerosene, Methanol

INSTALLATION

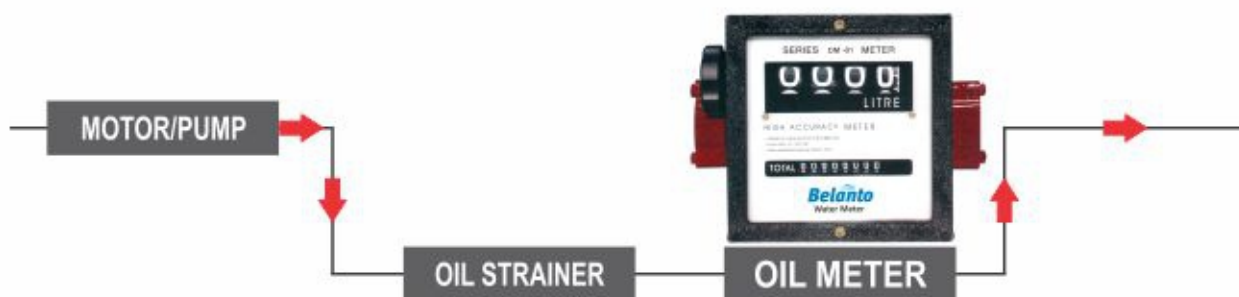
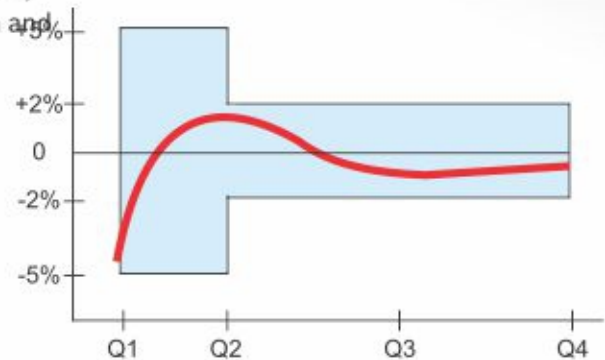
- The oil meter could be install in any position, for non horizontal positions the flow shall upwards.
- The meter shall be full of oil while operation.
- Prior to installation of a meter, the pipeline shall be thoroughly flushed.
- Straight pipe section of the same diameter D as the meter, having length of 10D and 5D shall be installed upstream and downstream of the meter respectively.

PRESSURE CLASS:

Max. Pressure : 300 psi

working pressure : 2-10 bar

supposed fitter dimension : 55 mesh



MODEL K-01



KUSHAL[®]
Flow Meters

DESCRIPTION

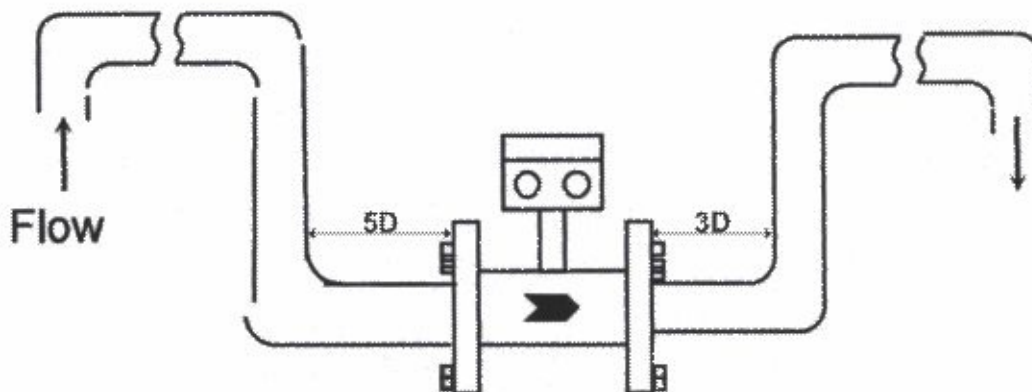
K-01 are micro-controller full bore electromagnetic flow transmitter specially used for various industrial applications. These flow transmitters accurately measures the flow rate of conductive liquids of slurries in closed pipes. Due to simple & rigid design, the flow transmitter in an obstruction less & maintenance free instrument in place of conventional mechanical flow measuring device. The use of 'Pulsed DC' technology offers highest ability & better measuring accuracy in the form of electrical signal 4-20 mA DC linearly proportional to volumetric flow. The instrument is based on Faraday's law of electro-magnetic field generates a voltage that is proportional to the flow velocity. Corresponding electrical output is provided with respect to measuring voltage.

SALIENT FEATURES

- Suitable for conductive liquid
- Absolutely maintenance free.
- Full bore type.
- Local Indication through LCD.
- Simple & cost effective construction.
- Outstanding accuracy.
- Flow measurement in forward & reverse direction on demand.
- Empty pipe indication on demand.
- Material options depending upon process data.
- Universal power supply.
- Communication port on demand.
- GSM/GPRS/ Connecting option available as per requirement.

TECHNICAL SPECIFICATIONS

Media	Liquid (Conductive)
Conductivity	> 5 μ s/cm
Viscosity	200 cp max
Line Size	15 NB to 600 NB
Excitation	Pulsed DC Coil
Type of Output	1) 4 to 20 mA DC, Isolated 2) Pulse
Display	16x2 LCD - 4 digit for Flow Rate & 8 digit for Totalised Flow
Calibration	As per requirement (Factory Calibrated)
Accuracy	: +/- 0.5% F.S. (For 20 to 100% Flow)
Linearity	+/- 0.5%
Repeatability	+/- 1%
Process Temp.	70°C Rubber/150°C PTFE
Communication Port	On Demand
Process pressure	10 kg/cm ² max
Material of construction	Lining - Rubber / PTFE (Teflon) Flange - CS / MS / SS Electrode - SS 316L / Hastalloy C / Platinum Coil Housing - MS / SS304
Power Supply	1) 24 V DC, External 2) 90-250 V AC, 50 Hz
Power Consumption	< 10VA
Isolation	1.4 KV between Input, Output & Power Supply
Response Time	< 100mSec
Temperature Coefficient	+/- 0.1 % per OC
Transmitter Enclosure	Flame proof, IP-65, IIA, IIB CMRI certified
Process Connection	ASA 150 flanged as per table B 16.5
Mounting	: In Line (Horizontal OR Vertical)
Operating Conditions	Temperature 0 to 55°C Humidity 5 to 95% on condensing



FLOW METER INSTALLATION DRAWING

MODEL K-02



KUSHAL[®]
Flow Meters

SALIENTS FEATURES

- ▶ Long-term stability and accuracy over a wide range of conditions
- ▶ High reliability and minimum maintenance requirement
- ▶ No need for external power
- ▶ Communication port permits transfer of data from remote stations to Central system via GSM-GPRM modem
- ▶ Self-adjusting transducer receiving circuit continually adapts to Changing pipe diameters due to scaling or corrosion
- ▶ Available with AMR function
- ▶ Battery life-5 years (10 years optional)

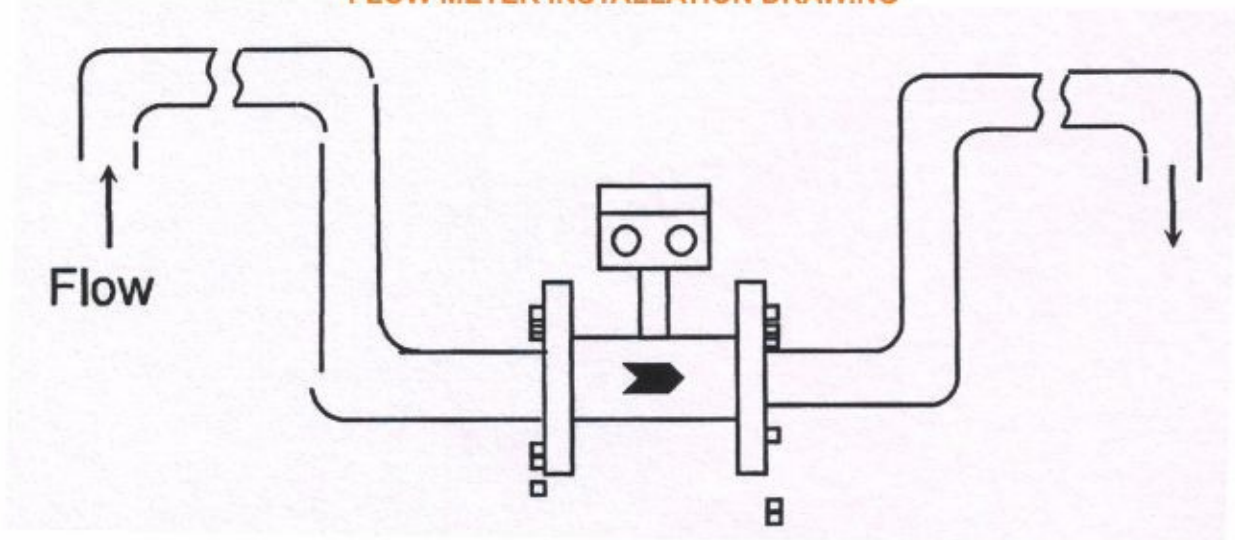
DESCRIPTION

This Is Battery Powered, Transit Time Flow Meter Utilising Advanced Digital Processing Technology. The Meter Contains no Moving Parts and does not Require External Power. it also has Advantages such as ultra Low Power Consumption, High Accuracy and Reliability. The Meter is Designed for Easy Installation. It Has The Same Conduit Length as Industrial Mechanical Water Meter, But can be used just as conveniently as a Mechanical Water Meter.

TECHNICAL SPECIFICATION

Technical Characteristics	Low power consumption, digital price technology with stable and permanent PiezoSeal sensor
Accurace	±1% of reading (optional ±0.5%)
Repeatabilty	0.2% of span
Dispaly	Total flow, flow rate, velocity, working time & date, signal intensity, quality and Battery status
Output	4-20mA, Pulse for total flow (all outpurs need external power supply 24 V DC)
Communication interface	GSM, GPRS
Operation	Inside keypad available
Sampling period	0.5 sec.
Environment Temp.	Up to 65°C
Water Temp.	5 to 70°C
Power Supply	3.6 V Lithium battery
Eclosure Class	IP 68
Pipe Size	DN 16-600
Flange standard	DIN, ANSI 150, BS

FLOW METER INSTALLATION DRAWING



MODEL K-03

KUSHAL®
Flow Meters

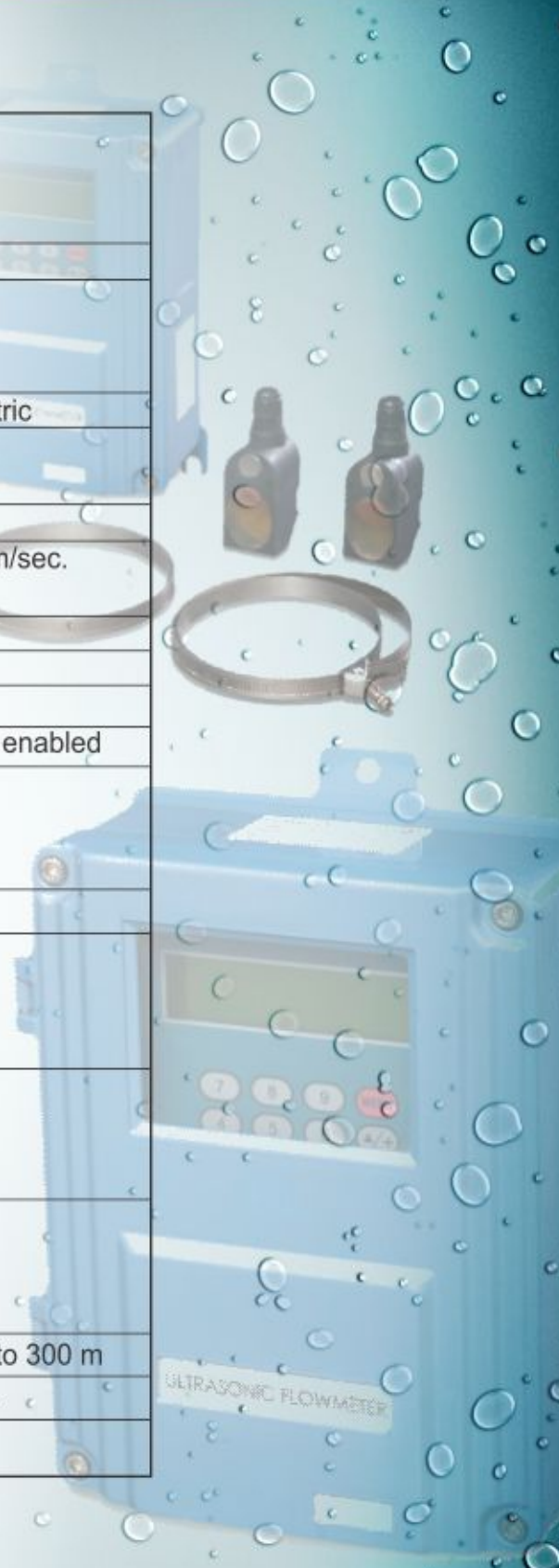


The Transit Time Flowmeter utilises two transducers that function as both, ultrasonic transmitters and receivers. The transducers are clamped on the outside of a closed pipe or inserted in the pipeline by using an isolating ball valve assembly at a specific distance from each other. Transit Time Flow meters measure the time it takes for an ultrasonic signal transmitted from one sensor to cross a pipe and be received by a second sensor. Upstream and downstream time measurements are compared. With no flow, the transit time would be equal in both directions. With flow, sound will travel faster in the direction of the flow and slower against the flow. The liquid velocity (V) inside the pipe can be related to the difference in time of flight

(Δt) through the following equation:

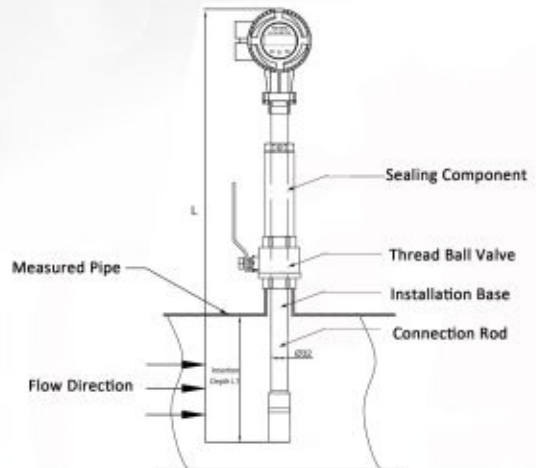
$V = \frac{K \times D}{\Delta t}$ where
 V : Liquid velocity
 K : Constant
 D : Distance between the two transducers
 Δt : Difference in time of flight

Power Supply	24 V DC \pm 20% 110 V AC \pm 15% 240 V AC \pm 15%
Velocity	\pm 12 m/sec, Bidirectional
Display	2 lines, 16 characters, LCD with backlight, flow rate velocity, totaliser
Units	User configurable English/Metric
Totaliser	FWD, NET, REV, BATCH (Gallons, ft ³ , Barrels, lbs, m ³)
Output	4-20 mA DC Std.*
Accuracy	\pm 1% of reading @ ate > 0.5 m/sec. (Optional \pm 0.5% of reading)
Repeatability	0.2% of Span
Dimensions	251x190x96 mm
Weight	< 2.5 kg
Security	Keypad lockout, access code enabled
Suited temp. - Std.	-40°C to 120°C
Suited temp. - High	-40°C to 250°C
Pipe Size	S Transducer 15-80 mm M Transducer 50-700 mm L Transducer 400-4570 mm
Dimensions	S Transducer 45x30x30 mm M Transducer 60x45x45 mm L Transducer 80x70x55 mm
Weight	S Transducer < 0.3 kg M Transducer < 0.5 kg L Transducer < 1.0 kg
Cable length	6 m Std. can be extended up to 300 m
Flexible belts	SS belt according to pipe size
Portable case	NA



MODEL K-04

KUSHAL®
Flow Meters



K-04 are Insertion type electromagnetic flow transmitter specially used for various industrial applications. These flow transmitters accurately measures to flow rate of conductive liquids & slurries in closed pipes. Due to simple & rigid design the flow transmitter is an obstruction less & maintenance free instrument in place of conventional mechanical flow measuring device. The use of 'Pulsed DC' technology offers highest ability & better measuring accuracy in the form of electrical signal 4-20 mA DC linearly proportional to volumetric flow. The instrument is based on Faraday's law of electro-magnetic induction. A magnetic field is generated by the instrument in the flow tube. The fluid flowing through this magnetic field generates a voltage that is proportional to the velocity. Corresponding electrical output is provided with respect to measuring voltage.

SALIENTS FEATURES

- Insertion Type
- Simple & cost effective construction.
- Provides wide flow ranges.
- Outstanding accuracy.
- Operates over wide ranges of temperature & pressure.
- Easy maintenance as no moving parts.
- Pulsed DC coil excitation.
- Flame-proof, IP-65, IIA, IIB CMRI certified housing.

Media	Liquid (Clear)
Viscosity	200 cp max
Line Size	100 NB to 2000 NB
Excitation	Pulsed DC coil
Type of Outputs	4 to 20 mA DC
Calibration Range	As per requirement (Factory Calibrated)
Accuracy	+/-0.5% F.S.
Linearity	+/-0.5%
Repeatability	+/-1%
Process Temperature	120 kg/cm2 max
Material of construction	Electrode SS316, Retractable Assembly MS/SS, Wetted Parts – SS316
Power Supply	1) 230 V AC, 50Hz +/- 10% 2) 24 V DC, External
Power Consumption	< 10 VA
Response Time	<100m Sec
Temperature Coefficient	Flame-proof, IP-65, IIA, IIB CMRI certified
Mounting	Insertion Type
Operating Conditions	Temperature 0 to 55°C Humidity 5 to 55% non Condensing
Installation	Insertion type with use of isolating ball valve assembly on pipe line

Line Size (mm)	Flow (m3/hr)	Flow (MLD)	Flow (ft3/sec)
200	113.10	2.714	1.109
250	176.71	4.241	1.734
300	254.47	6.107	2.496
350	346.36	8.313	3.398
400	452.39	10.857	4.438
500	706.86	16.965	6.934
600	1017.88	14.429	9.985
700	1385.44	33.250	13.251
800	1809.56	43.429	17.751
900	2290.22	54.965	22.466
1000	2827.43	67.858	27.736
1200	4071.50	97.716	39.940
1400	5541.76	133.002	54.363
1600	7238.22	173.717	71.004
1800	9160.88	219.861	89.865
2000	11309.72	271.433	110.944



Major Clients





Bisleri



Walmart



JACOBS



Kajaria
TRANSFORM YOUR WORLD

CHITKARA
UNIVERSITY



KRANTI
Water Meter
Bulk Enclosed / Woltman Type

KUSHAL[®]
Flow Meters



B.M. WATER METERS

Manufacturers & Exporters of:
Water Meters, Oil Meters, Gas Meters & AMR/Pulse Meters

Village Salem Pur Musalmana,
Near Petrol Pump, Jalandhar Punjab
Ph: 0181-2602556, 2604556, 2603556
Mob. : 91-98761-10500 Email: info@bmwatermeters.com